

# SPOT-NIK

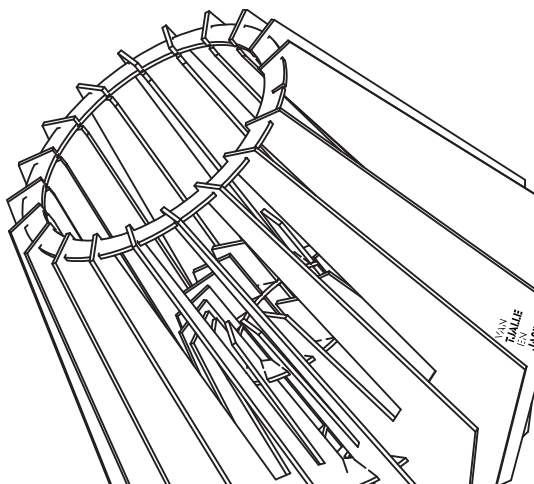
## Floor lamp

Manual  
Handleiding  
Handbók  
Bruksanvisning  
Instruktioner  
инструкции  
Instruċiuni  
Упатство  
Utasítás  
Inštrukcia  
Manuel

Rokasgrāmata  
Manwal  
Instrukcije  
Manuál  
Priročnik  
Instrucciones  
Talimatlar  
Handbuch  
Hânlieding  
Torolalana  
Manuale

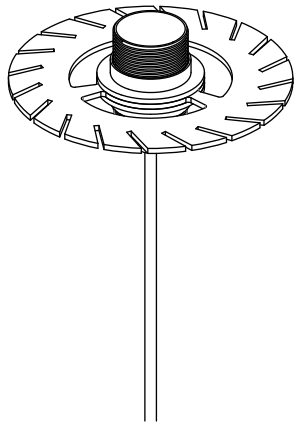
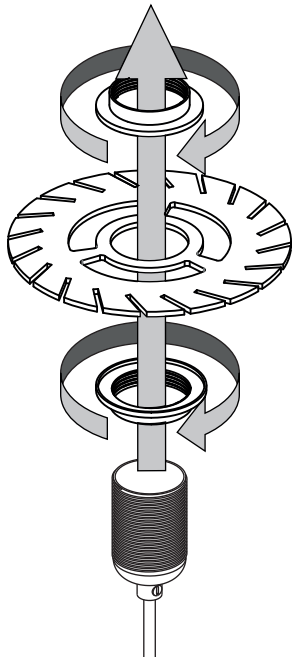
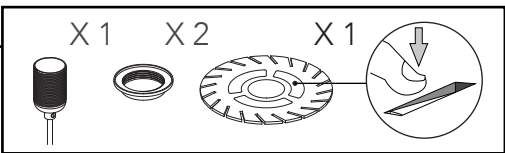


VAN  
TJALLE  
EN  
JASPER

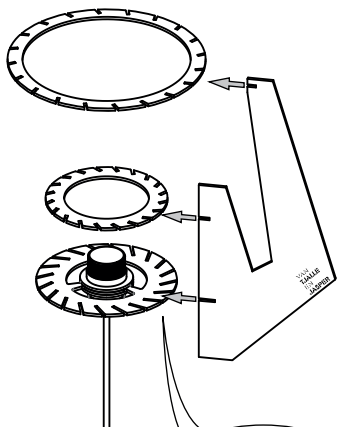
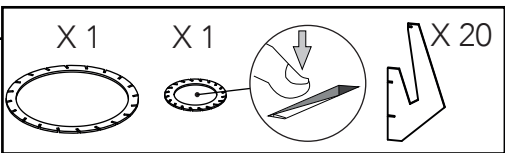


1

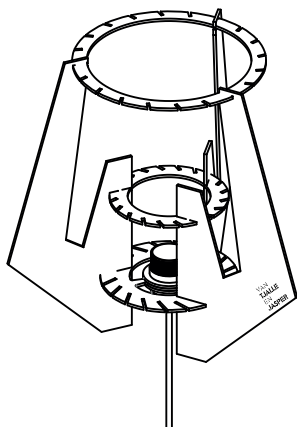
# SPOT-NIK



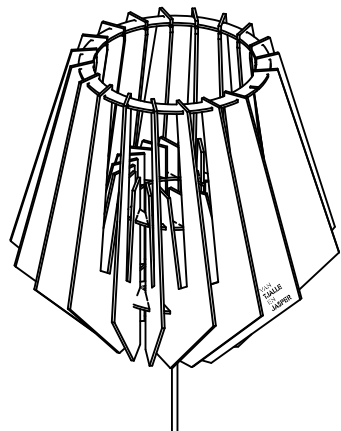
2



1



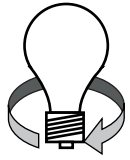
2



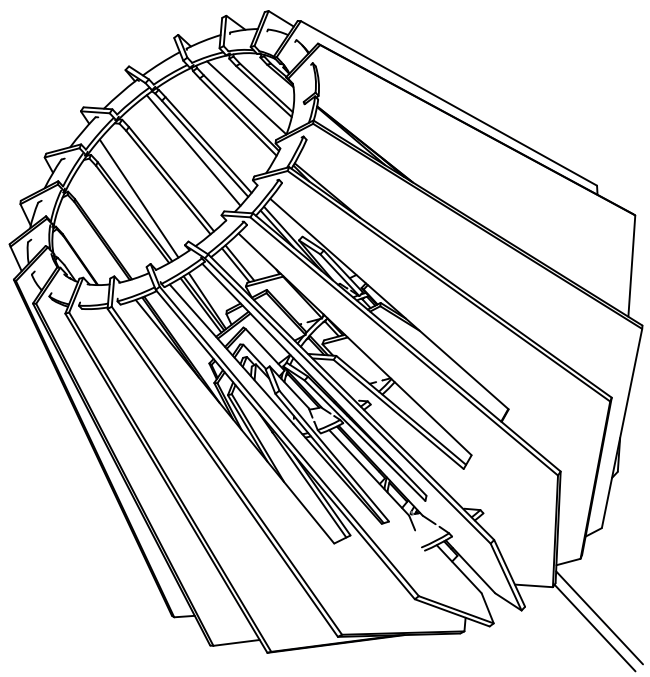
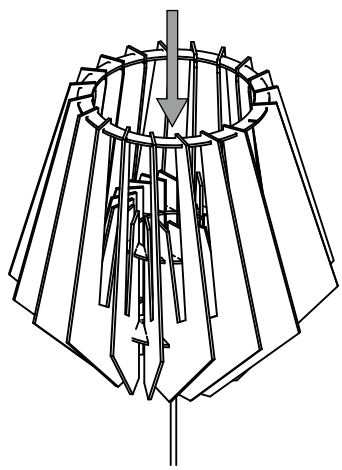
3

3a Floorlamp

---

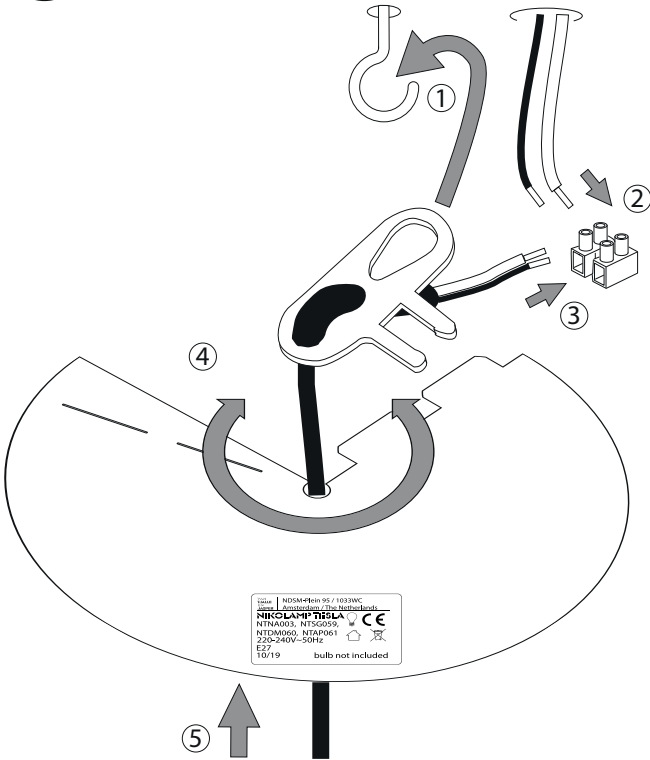
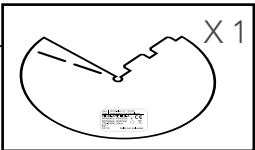


**LED - E27**  
max 10 Watt



3b

# Pendant Lamp



Model: NDSM4609 92 / 1033WC  
Manufacturer: Zuo International  
**NIKOLAMP THELA** CE  
NTM060, NT50596  
NTM060, NTAP061  
230-240V-50Hz  
E27  
T0/19 bulb not included

